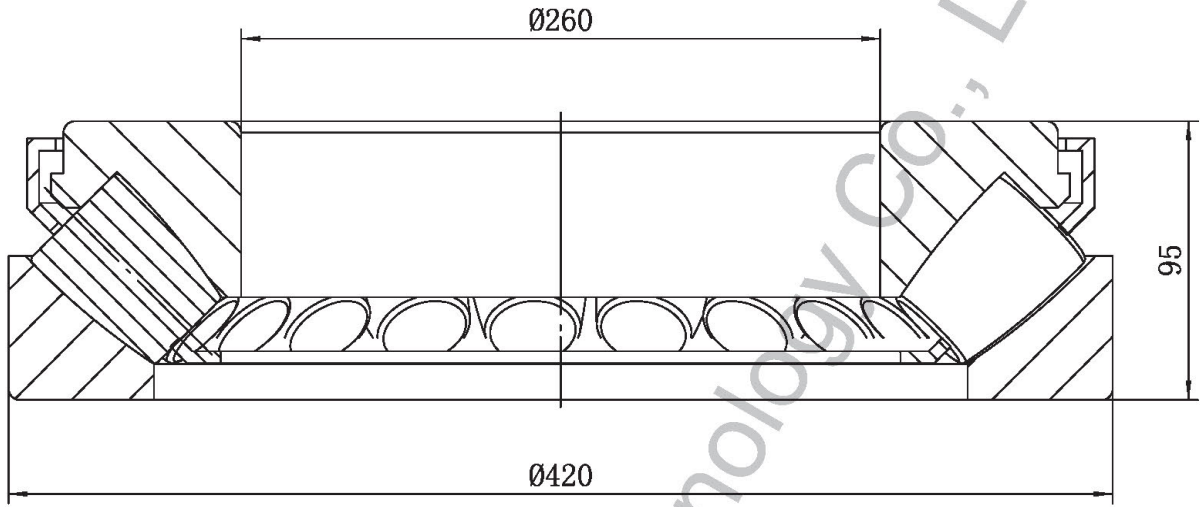


29352 E



- 1 rated load: Cr= 2550 KN ; Cor= 8300 KN ;
- 2 Heat treatment according to the current standards

Remark:

- 1. Luoyang JCB Bearing Technology Co., Ltd is a technical Inc, specialize in designing and manufacturing thrust bearing, we can design and manufacture all kinds of thrust bearing according to client's requirement.
- 2. This drawing is reference for user, if you need formal drawing, please contact wth us sales@jcb-bearing.com, the official drawing will be submitted after order confirmation.



07	cage		STEEL			
04	roller		steel GCr15-GB/T18254			
02	shaft washer		steel GCr15SiMn-GB/T18254			
01	house washer		steel GCr15SiMn-GB/T18254			Weight (kg)
serial	Name	Qty	Material	53.0		

29352 E

Thrust spherical roller bearing

Add: No. 3 Lianmeng road, Luoyang, Henan, China.
 Postal: 471003 Website: www.jcb-bearing.com
 Phone: +86-379-68611678 www.sphericalrollerthrustbearing.com
 Fax: +86-379-68611679
 E-mail: sales@jcb-bearing.com

Luoyang JCB Bearing Technology Co., Ltd